

TDS1537C 16:9 PCAP

Embedded Touch Monitor



Product Features

- + Front-mounted flat design with rounded corners
- + 3mm aluminum narrow bezel, IP65 protection
- + Industrial grade LCD ,long-life LED backlight
- + Wide Ratio, resolution 1920X1080FHD@60Hz
- + Full viewing angle, high brightness
- + 10-point projected capacitive touchscreen
- + 3mm tempered glass with anti-fingerprint
- + USB touch interface, fast response
- + Palm rejection & glove touch supported
- + Video interface: HDMI+VGA
- + Supported OS: Windows 11, Linux, Android
- + 2-year warranty



Options:

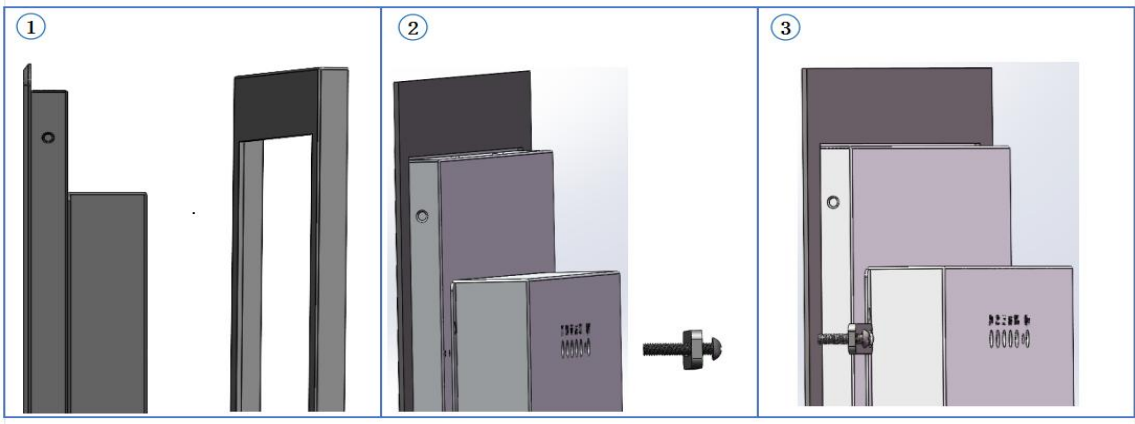
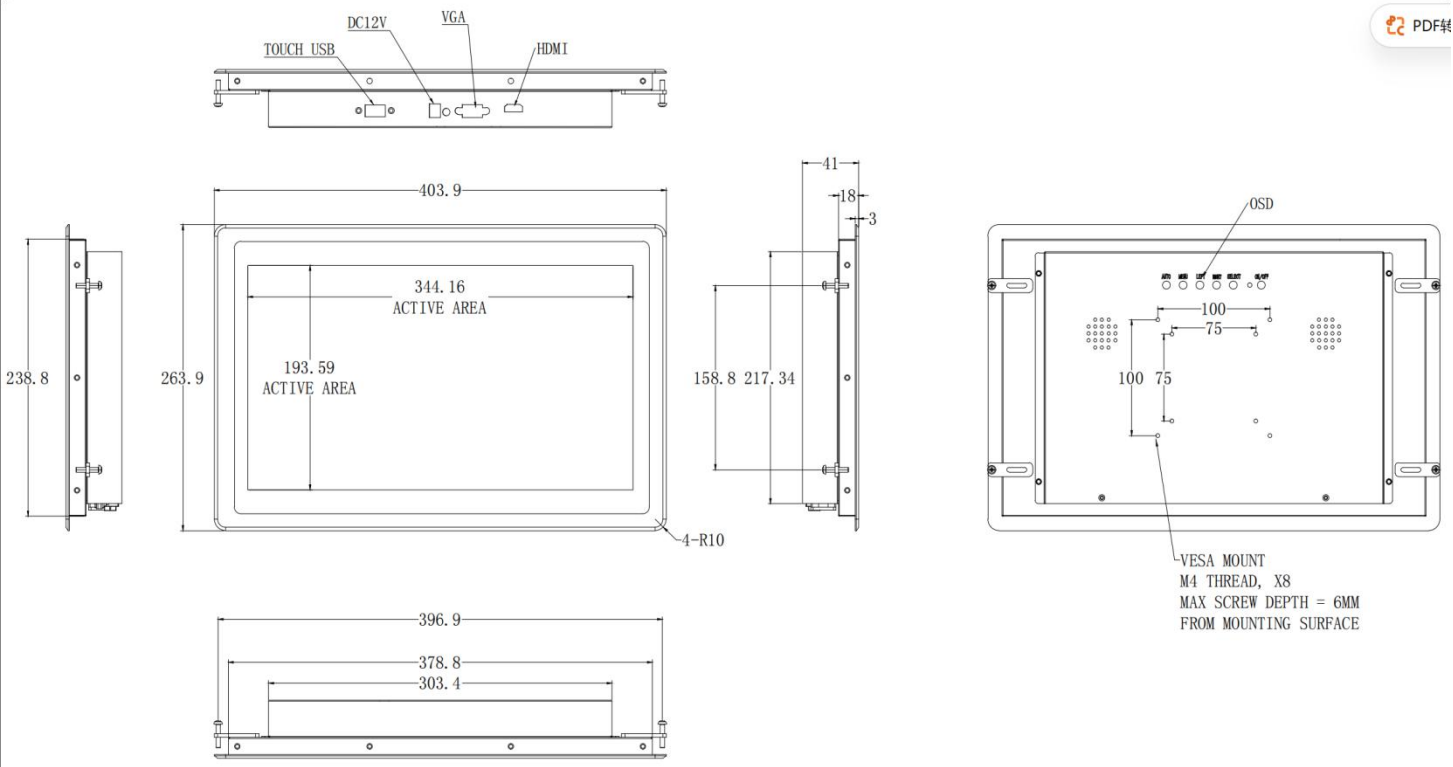
- + Touch All-in-one
- + Customizable high brightness
- + Customizable external interfaces



TDS1537 C Embedded Touch Monitor

Model	1537C
Color	Black
Size	15.6"
Aspect Ratio	16:9
Active Display Area	344.16(H)×193.59(V) mm
Dimensions	403.9X263.9X41(mm) Recommended cutout size: 396.9X238.8(mm)
Native Resolution	1920X1080FHD@60Hz
Number of Colors	262K, 72% NTSC
Viewing Angle	85/85/85/85 (Typ.)(CR≥10)
Contrast Ratio	800:1
Brightness (typical)	LCD: 300nits, Touch:275nits
Response (typical)	30ms
Number of Touches	10-touch with USB control interface
Touch Mode	Finger, stylus (silicone tip), glove (thickness ≤ 2 mm)
Touch Precision	≥2mm
transmittance	90%
Glass hardness	7H
Video Interface	HDMI+VGA
Input voltage range	AC: 100-240 VAC , 50-60 Hz
I/O Ports	1*HDMI , 1*VGA , 1*USB2.0, 1*DC
Sealing	Sealing between touch screen and front bezel
Ball Drop Test	No breakage when a 450g steel ball falls vertically 1.2m to the center
Temperature	Operating: 0°C-50°C; Storage: -10°C-60°C
Humidity	Operating: 20%-70%; Storage: 10%-80%
MTBF	50000 hours
Warranty	2 years standard
Shipping Dimensions	455*110*320(mm)
Mounting Options	VESA mount on rear 75mm&100mm Side buckle mounting distance: 158.8mm
Power Adapter	DC:12V3A(Coaxial power jack: 5.5*2.1)
What's in the Box	1*HDMI cable, 1*USB cable, 1* DC cable, 1*Power adapter 4* Flush Mount Brackets with screws
Agency Approvals	FCC; CE; ROHS

TDS1537C



Dimensions are in millimeters

