

# TDS1537B 4:3 PCAP

## Embedded Touch Monitor



### Product Features

- + Front-mounted flat design with rounded corners
- + 3mm aluminum narrow bezel, IP65 protection
- + Industrial grade LCD ,long-life LED backlight
- + Standard square screen, 1024×768@60Hz
- + 10-point projected capacitive touchscreen
- + 3mm tempered glass with anti-fingerprint
- + USB touch interface, fast response
- + Palm rejection & glove touch supported
- + Video interface: HDMI+VGA
- + Supported OS: Windows 11, Linux, Android
- + 2-year warranty



### Options:

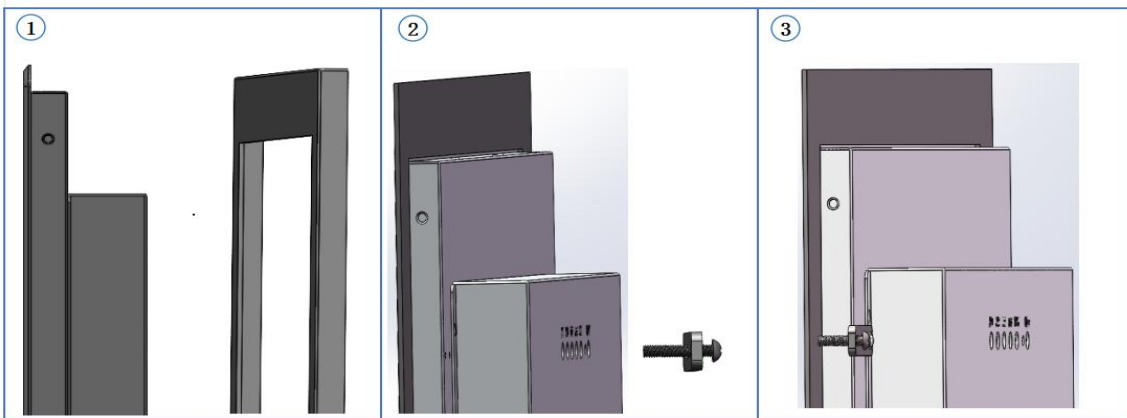
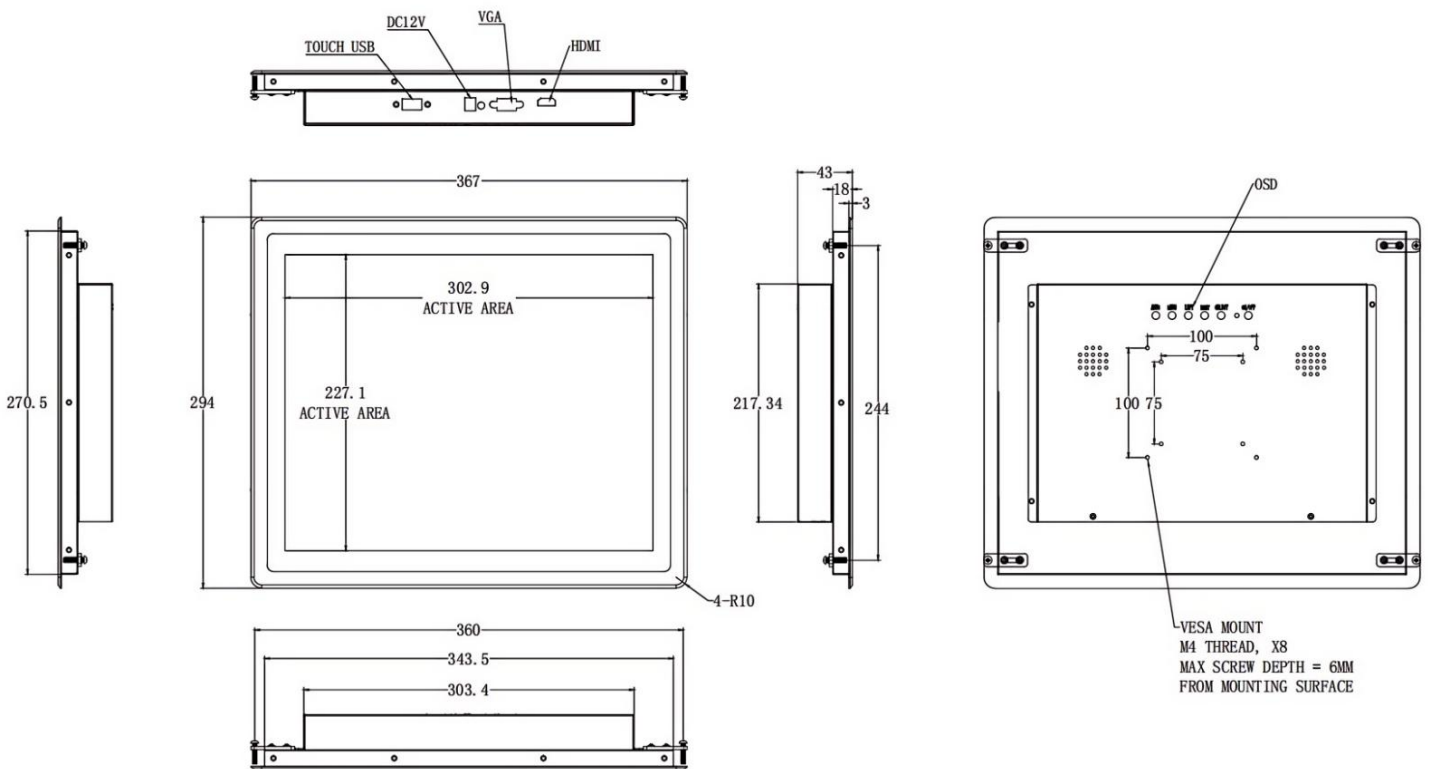
- + 5-wire resistive touch screen
- + Customizable high brightness
- + Customizable external interfaces



## TDS1537B Embedded Touch Monitor

Model	1537B
Color	Black
Size	15"
Aspect Ratio	4:3
Active Display Area	304.1X228.1(mm)
Dimensions	367X294X43(mm) Recommended cutout size: 343.5X270.5(mm)
Native Resolution	1024X768@60Hz
Number of Colors	16.2M , 72% NTSC
Viewing Angle	85/85/80/80 (Typ.)(CR≥10)
Contrast Ratio	1000:1
Brightness (typical)	LCD: 350nits, Touch:315nits
Response (typical)	15ms
Number of Touches	10-touch with USB
Touch Mode	Finger, stylus (silicone tip), glove (thickness ≤ 2 mm)
Touch Precision	≥2mm
transmittance	90%
Glass hardness	7H
Video Interface	HDMI+VGA
Input voltage range	AC: 100-240 VAC , 50-60 Hz
I/O Ports	1*HDMI , 1*VGA , 1*USB2.0, 1*DC
Sealing	Sealing between touch screen and front bezel
Ball Drop Test	No breakage when a 450g steel ball falls vertically 1m to the center
Temperature	Operating: 0°C-50°C; Storage: -10°C-60°C
Humidity	Operating: 20%-70%; Storage: 10%-80%
MTBF	50000 hours
Warranty	2 years standard
Shipping Dimensions	415X355X110(mm)
Mounting Options	VESA mount on rear 75mm&100mm Side buckle mounting distance: 244mm
Power Adapter	DC:12V3A( Coaxial power jack: 5.5*2.1)
What's in the Box	1*HDMI cable, 1*USB cable, 1* DC cable, 1*Power adapter 4* Flush Mount Brackets with screws
Agency Approvals	FCC; CE; ROHS

# TDS1537B



Dimensions are in millimeters

