

1538H 4:3 PCAP

High Brightness Touchscreen



Features

- + Open frame flat design, metal material
- + IP55 level front panel waterproof
- + Industrial grade LCD, LED backlight
- + Resolution 1024X768@60Hz
- + 1200nits brightness backlight
- + 10-Point projection capacitive touchscreen
- + Cover plate anti riot and anti-glare coating
- + Bonded with UV-resistant optical glue
- + Sunlight adaptive adjustment module
- + Temperature control cooling fan module
- + Video interface: HDMI+VGA
- + Reserve side and back assembly holes
- + Support OS: Windows/Android/Linux
- + 2-year Warranty



Optional:

- No Touch
- Touch interface: RS232
- Outdoor protection:
Anti-infrared & Anti-ultraviolet
- Video interface: Display Port
- Loosening-proof connector

TDS1538H High Brightness Open Frame Touchscreen Monitor	
Diagonal	15''(4:3)
Color	Black/Silver
Native Resolution	1024X768@60Hz
Active Display Area	305X 229(mm)
Dimensions	353.6X 276.6X 54.5(mm)
Contrast Ratio	800:1
Number of Colors	16.2M, 70% NTSC
Viewing Angle	Horizontal: 80° /80°; Vertical:65° /80°
Brightness	LCD : 1200nits; PCAP: 1035nits
Brightness adjustment mode	*The brighter the ambient light, the brighter the LCD screen *The darker the ambient light, the darker the LCD screen, and enter the power saving mode
Response	30ms
Touch Technology	PCAP-10 touch
Mode of touch	Fingers/silicone pen
Glass thickness	3mm, tempered, surface AG coating
Glass hardness	7H(Mohs)
Touch accuracy	≤2mm
Viewing Angle	USB 2.0
Video Interface	VGA+HDMI
Input Voltage	AC: 100-240 VAC,50/60 Hz
Power Supply	12V- 19V8A(Power Jack : 2.1mmx5.5mm)
Power Consumption (Typical)	ON (Typical - 100% Brightness): 27.3W SLEEP FROM PC (monitor + adapter): 1.5 W
Temperature control	*When the internal temperature reaches > 30°C, start the fans. *When the temperature drops <30°C, stop the fans.
Cooling method	Cooling fan set
Temperature	Operating: 0°C-50°C; Storage:-20°C-80°C
Humidity	Operating: 20%-70%; Storage:10%-80%
Mounting Options	Back VESA two groups of holes: 75mm&100mm Each of the four sides has a set of fixing holes: 142mm
Weight(net)	4KG
Shipping Dimensions	450X340X135(mm)
Warranty	2- year
MTBF	50,000 hours
Agency Approvals	FCC; CE; ROHS
What's in the Box	1*HDMI Cable;1*USB Cable; 1*Power Cable

Notes:

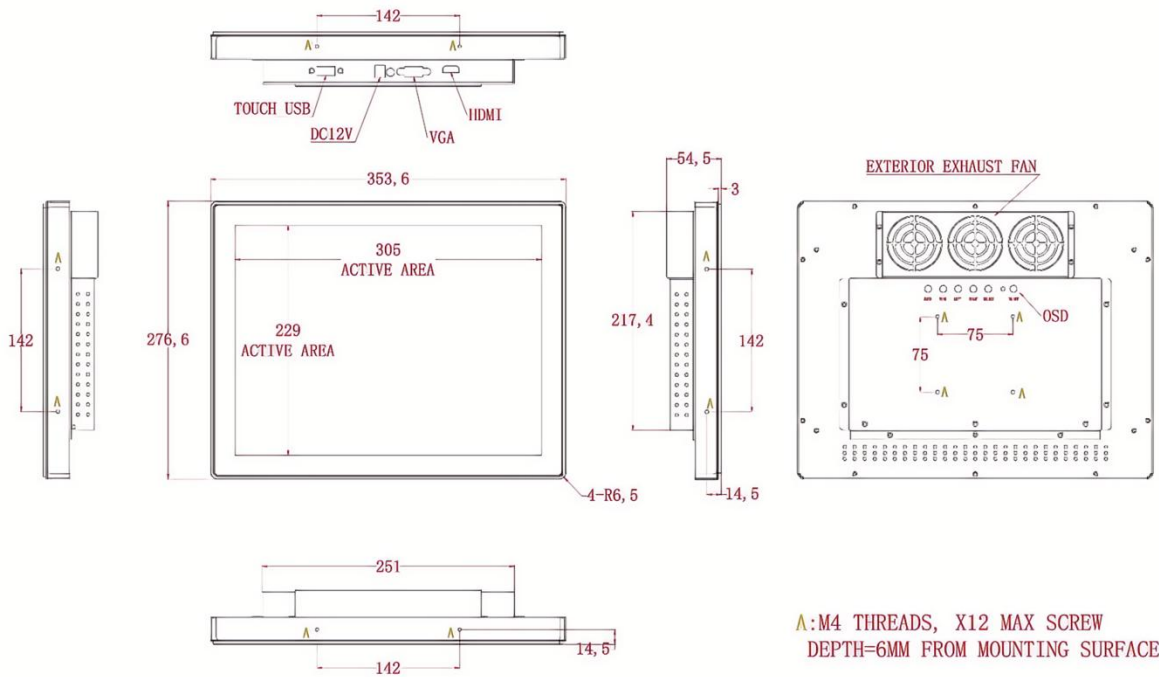
- 1.Recommend customers to use light sensors to effectively save energy and extend backlight life
- 2.If conditions allow, please avoid installing the product in an area exposed to direct sunlight. Use cantilevers or point products away from sunlight to reduce environmental stress on the product and extend its life.
- 3.Please maintain good ventilation on the back of the monitor and do not block the heat dissipation holes and fan blades.

Autodesk

Rev	Date	Content	Approved
V1			

Autodesk
A
B
C
D
E

Autodesk
A
B
C
D
E



△:M4 THREADS, X12 MAX SCREW DEPTH=6MM FROM MOUNTING SURFACE

Unit: mm	SIZE: M4	PRJ (3)	TDS Touch
Tolerances: ±0.3	Page: 1 of 1		
Confirm By: CAI	Date:	Product NO: TDS1538H	
Checked By:	Date:	Customer Product NO: NEC	
Drawn By:	Date: 2026-4-28		

Autodesk