

1038B 4:3 PCAP

Open-Frame Touchscreen



Feature:

- + Metal shell, open-frame structure
- + Stepped edge of front frame, easy to integrate
- + Bezels and touch screen sealed and waterproof
- + Industrial-grade LCD, LED backlight
- + Resolution 800X600@60Hz
- + 10-point projection capacitive touchscreen
- + Cover plate anti riot and anti fingerprint
- + Reliable Industrial Grade Components
- + Video interface: HDMI+VGA
- + Multiple assembly holes on the side and back
- + Support OS: Windows/Android/Linux
- + 3-Year warranty



Optional:

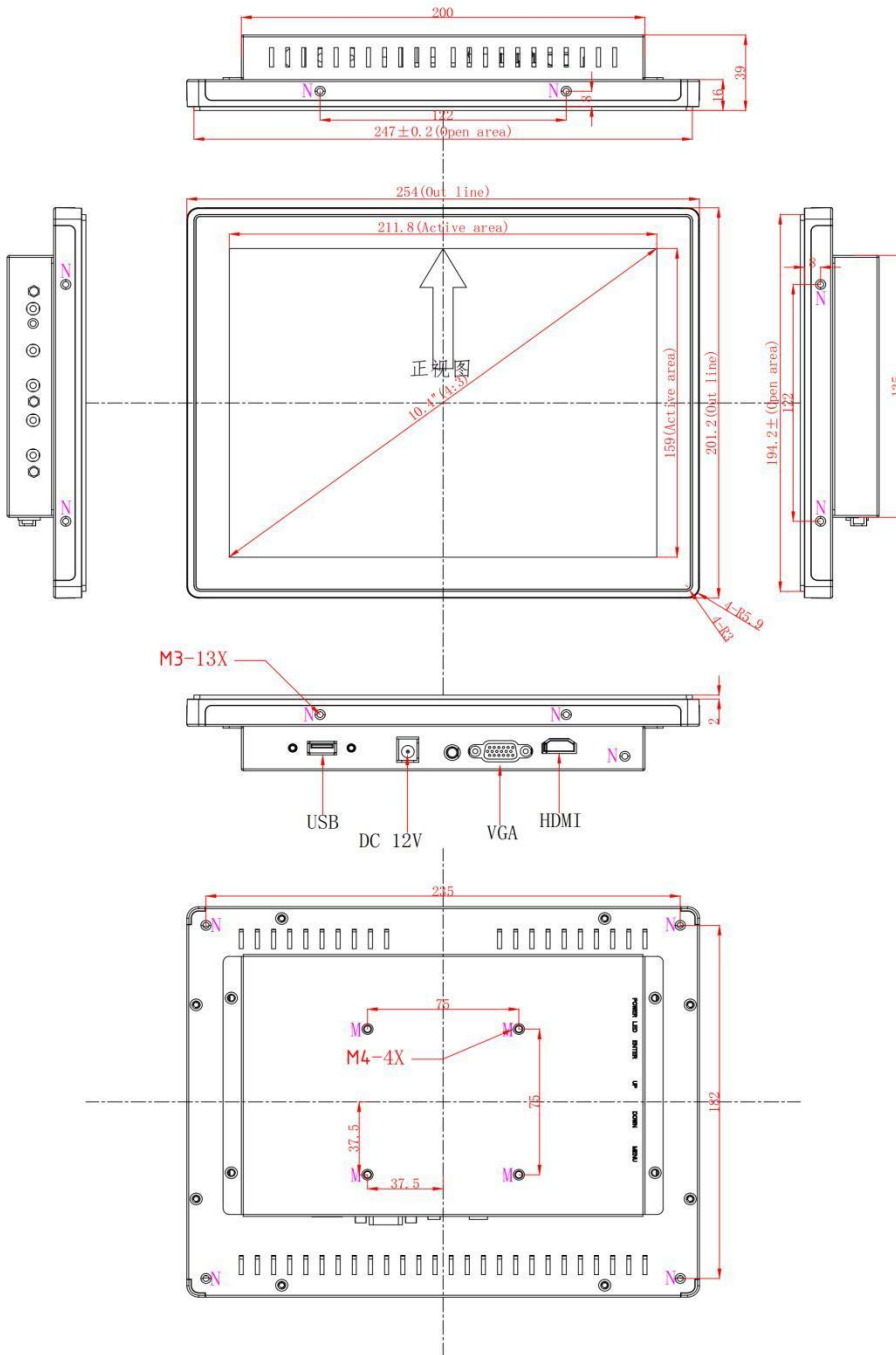
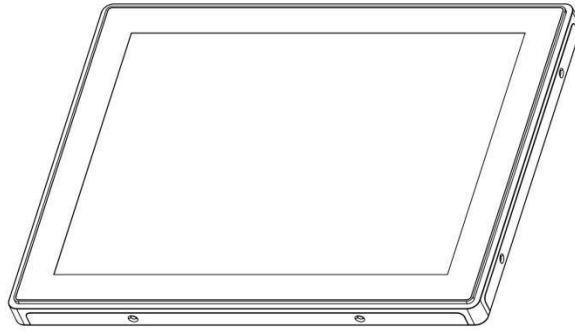
- No Touch
- Privacy Filter
- AG Coating
- Video interface: DP
- Brightness: 500-1000nits



TDS1038B Open Frame Touchscreen Specifications

Model	1038B
Color	Black
Diagonal	10.4"
Aspect Ratio	4:3
Active Area	211.8X159(mm)
Dimensions	254X210.2X39(mm)
Resolution	1280X800@60Hz
Viewing Angle	Horizontal: 75° /75°; Vertical: 60° /60°
Number of Colors	262K,50% NTSC
Brightness (typical)	LCD panel:350nits; PCAP:315 nits
Response Time	30ms
Contrast Ratio	500:1
Touch Technology	PCAP (Projected Capacitive) - 10 Touch
Input method	Finger, Capacitance pen(Standard) Latex gloves touch (pre commissioning required)
Transmittance	≥90%
Surface hardness	7H(Mohs)
Touch Interface	USB 2.0
Video Interface	VGA+HDMI
Input Voltage	AC: 100-240 VAC,50/60 Hz
Sealability	Touchscreen sealed to bezel
Drop Test	450g steel ball falls from 1.0m without breaking
Weight (net.)	1.5KG
Shipping Dimensions	370X170X330(mm)
Operating Temperature	0°C to 40°C
Storage Temperature	-20°C to 60°C
Humidity	Operating: 20% to 70%; Storage: 10% to 80%
Mounting Options	VESA holes: 75mm&75mm Four sides has a set of fixing holes: 122mm
MTBF	50,000 hours demonstrated
Power Supply	DC:12V3A
Warranty	2-year
Agency Approvals	FCC, CE, ROHS
Support OS	Windows/Linux\Android
What's in the Box	1*USB cable, 1*HDMI cable, 1*DC cable (Standard) L" (Side Mount) Brackets and w/Screws (Options)

Autodesk



Autodesk