

2137C 16:9 PCAP

Embedded touchscreen monitor



Feature

- + Flat metal aluminum shell
- + The front panel meets the IP65 standard
- + Industrial grade LCD, LED backlight
- + Resolution 1920X1080FHD@60Hz
- + Widescreen full viewing Angle
- + 10 point projection capacitive touchscreen
- + 3mm anti-riot tempered glass
- + Ultra-Fast response speed and high precision
- + Video interface: HDMI+VGA
- + Back-mounted assembly structure
- + Prevent the DC port from falling off
- + Support OS: Windows/Android/Linux
- + 3-Years warranty



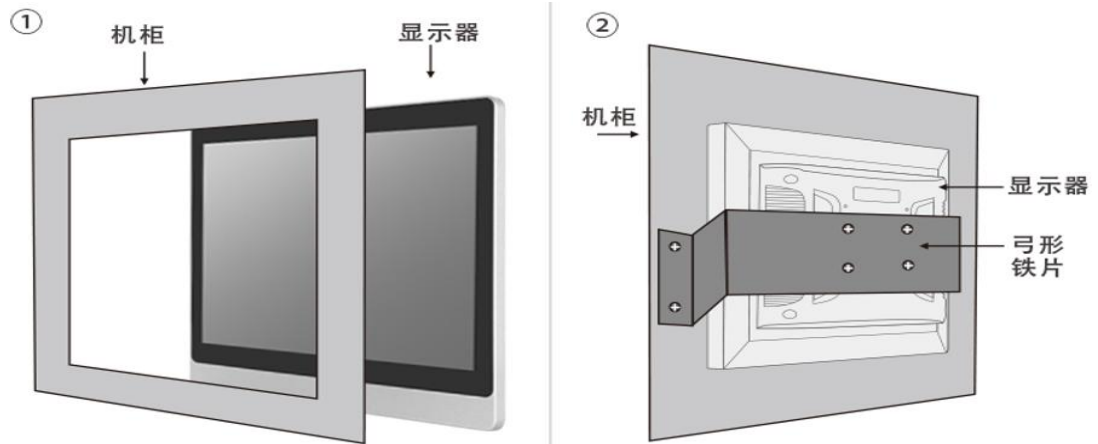
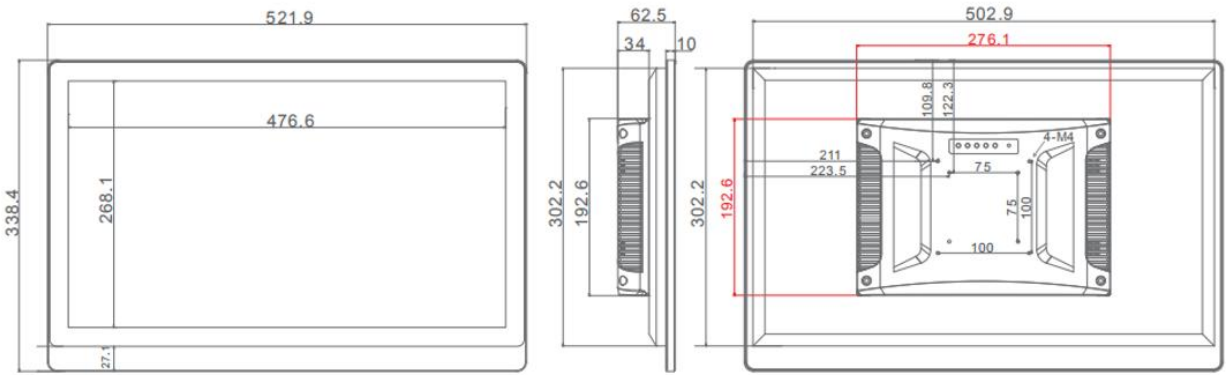
Optional:

- No Touch
- Privacy Filter
- ALL-IN-ONE

TDS2137C Embedded touchscreen monitor

Model	2137C
Color	Black/Silver
Size	21.5''
Ratio	16:9
Native Resolution	1920X1080FHD@60Hz
Active Area	476.6X268.1(mm)
Dimensions	521.9X338.4X62.5(mm)
Color	16.7 M
Viewing Angle	89 ° /89 ° / 89/89 °
Brightness	LED: 300mcd;PCAP Touchscreen: 275mcd
Contrast	3000:1.
The Response Time	8ms
Touch Technology	Projection Capacitor -10 Points
The Surface Hardness	7H
Light Transmittance	92%
Control Card Interface	RJ45 Standard (USB Definition)
Response Speed	12ms
Video Interface	HDMI+DVI+VGA
The Input Voltage	AC: 100-240 VAC,50/60 Hz
Power Adapter	DC12V /3A (DC Port 5.5*2.1 With Thread Protection)
IP65 Protection Level	IP65 Waterproof Test: Surface IP-X5, Dustproof Test: Surface IP-6X A. Nozzle Diameter: 6.3mm; B. Water Flow: 12.5±0.625L/Min; C. Water Pressure: Adjust According To The Specified Water Flow; D. For The Display Surface, The Central Part Of The Main Flow: Diameter 2.5m From The Nozzle A Circle Of About 40mm;. After The Test, Check No Water Phenomenon.
Antistatic	Contact Type: 4KV Air Electrostatic: 8KV
Shock Resistant	5-19 Hz / 1.0 Mm Amplitude;19-200 Hz / 1.0 G Acceleration
Impact Resistant	10g Acceleration 11ms Cycle
The Work Environment	Temperature: 0 °C To 50 °C; Humidity: 20% To 80%
Storage Environment	Temperature: -10 °C To 70 °C; Humidity: 10% To 90%
Installation	1. Embedded Buckle Installation: The Actual Opening Is Better Than The Display Opening Size 2MM 2. Wall Mounting: 75*75 And 100*100 (Mm), M4 Hole
The Quality Assurance	3 Years
MTBF	30000 Hours
Certification	FCC; CE; ROHS; CCC
Accessories	Buckle, VGA Cable, Touch Cable, Power Adapter, Power Cord, Manual, Warranty Card

TDS2137C-PCAP



Dimension in millimeter

